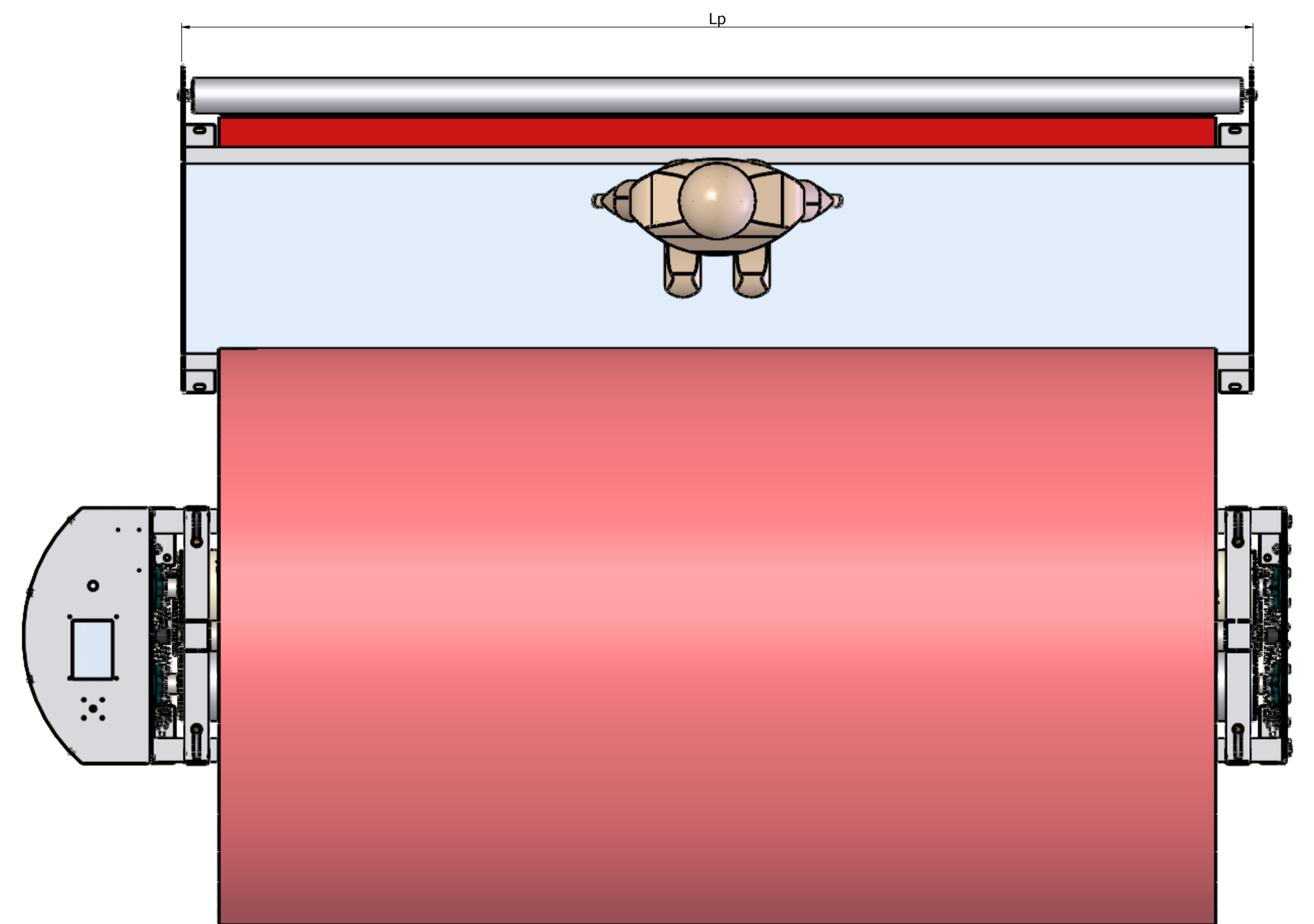
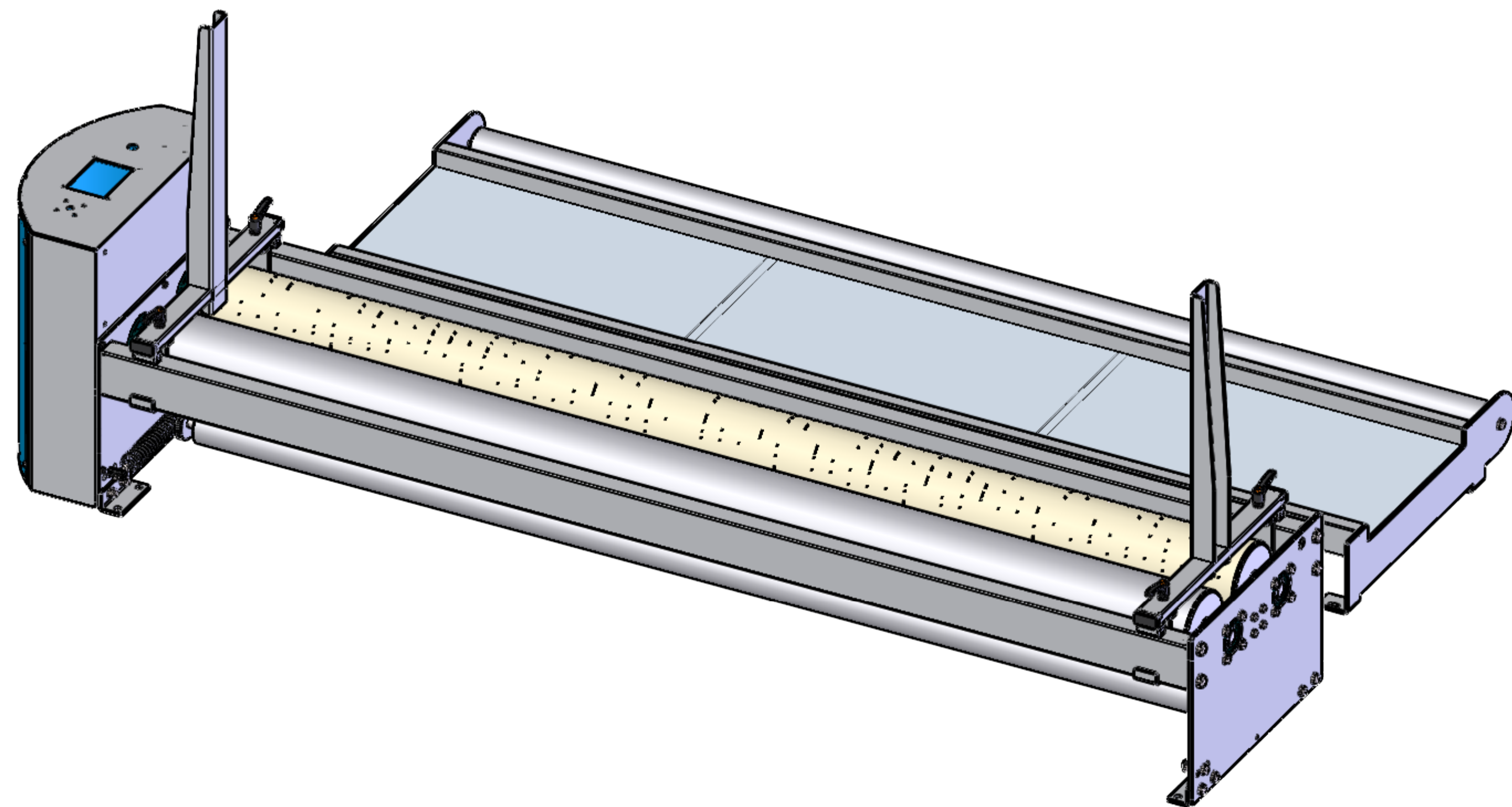
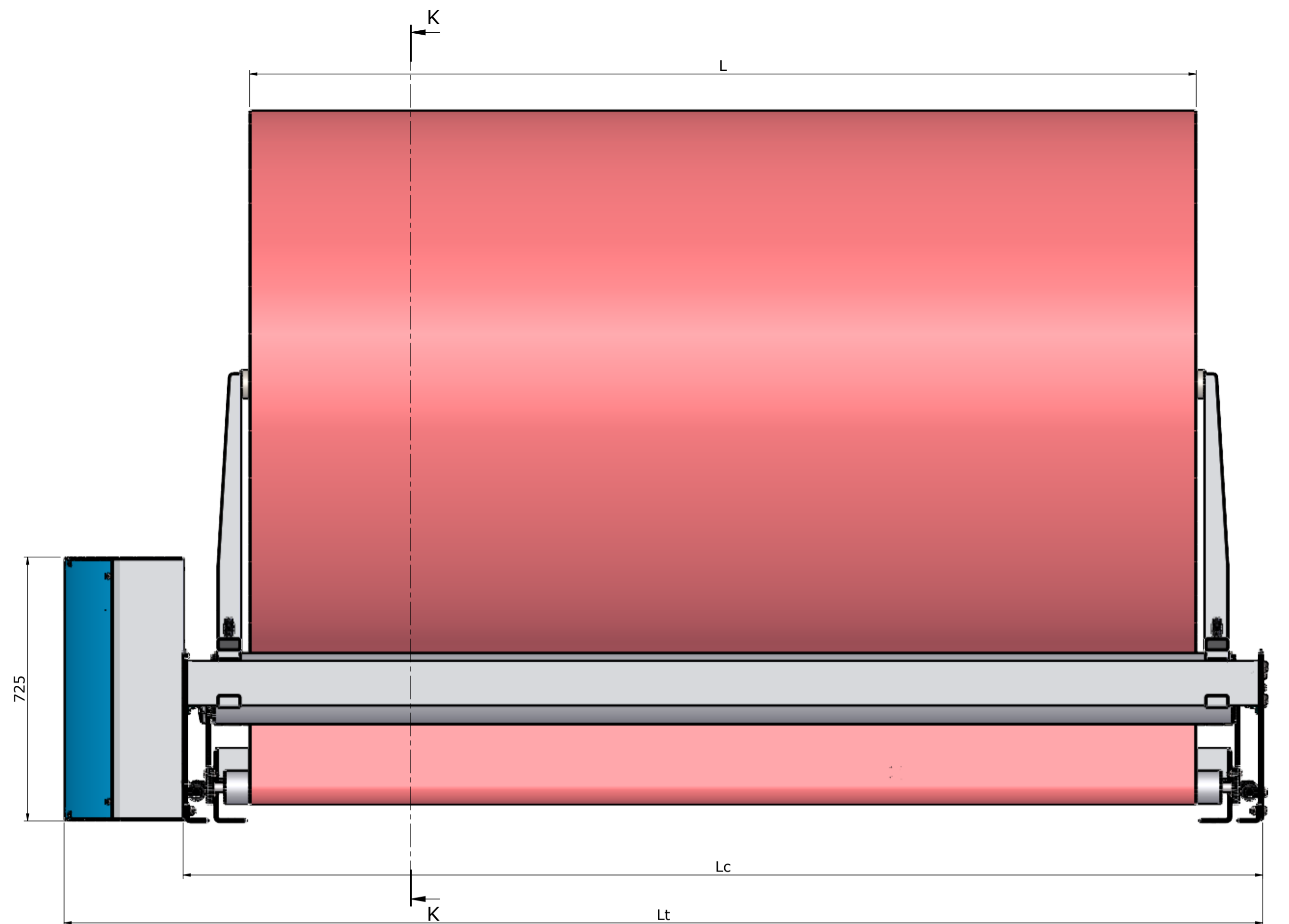
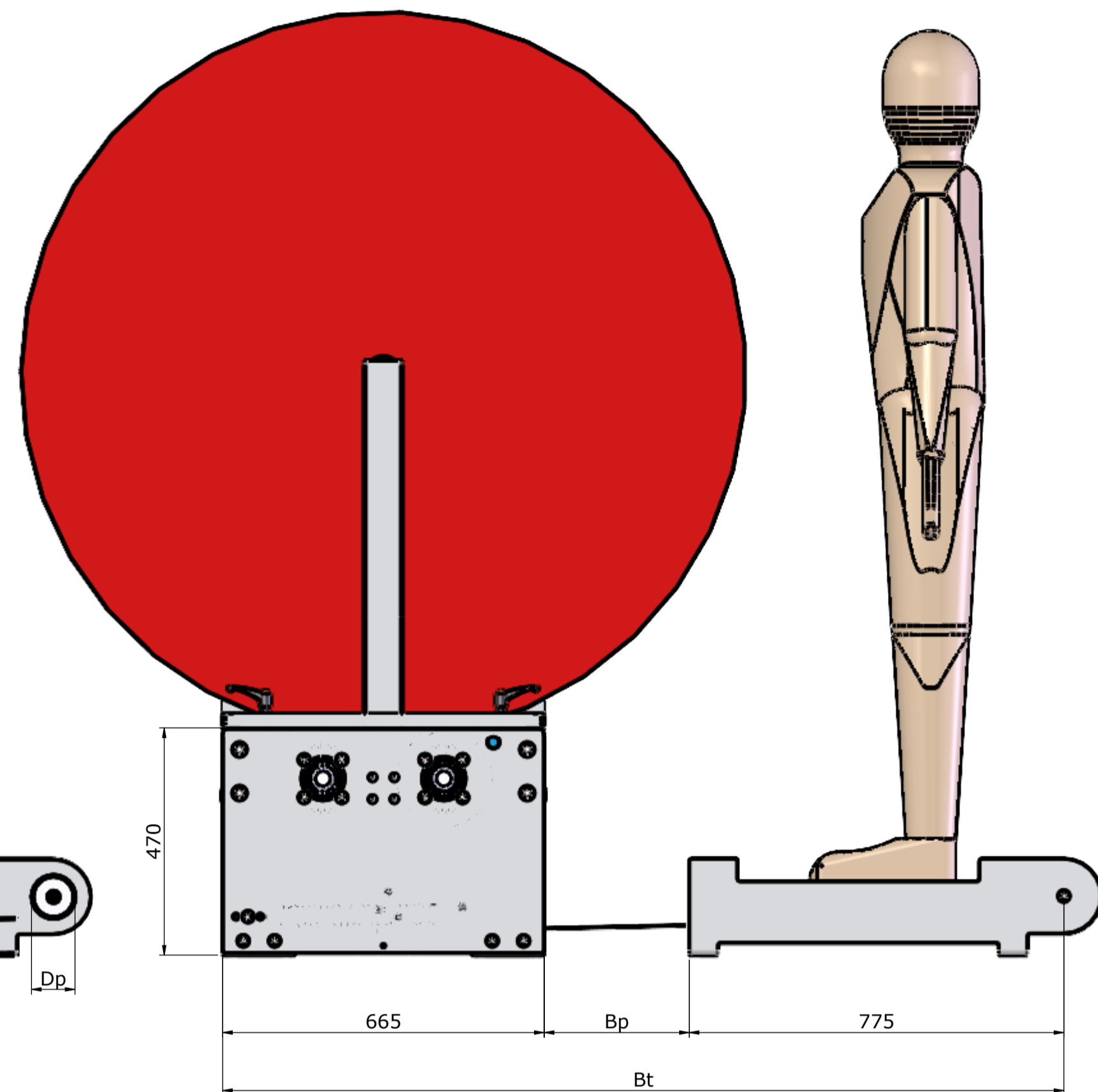


SEZIONE K-K



L	Lt	Lc	Lp
1900	2593	2266	2092
2200	2893	2566	2392
2300	2993	2666	2492
2400	3093	2766	2592
2600	3293	2966	2792
3000	3693	3366	3192
3400	4093	3766	3592
3600	4293	3966	3792
3800	4493	4166	3992
3900	4593	4266	4092

Ø	Bp	Bt
1000	50	1490
1200	150	1590
1500	300	1740

Db	Dp
88.9	88.9
101.6	101.6
108	108
114.3	114.3
121	121

SRIEL
Automation & Engineering
Systems and solutions for textile industry
Design and construction of automatic systems

24030 MOZZO (Bergamo) ITALY
Via del Chioso, 4
Tel: +39 035 613221
Fax: +39 035 613423
C.F. e P.I.: 01618450165

DERIVA DA / DERIVED FROM: MACCHINA / MACHINE
Sim. non di / Non di: univoco / univoco
D. 5x4.5"

PROGETTO / PROJECT: 17/07/2020
FABBRICAZIONE / MANUFACTURING: MA

NOTE / NOTES: PESO / WEIGHT: 5069.73 kg
SCALA / SCALE: 1:10
FOGLIO / SHEET: 1 di 1

AVVOLGITORE TAN STD Dr=193.7